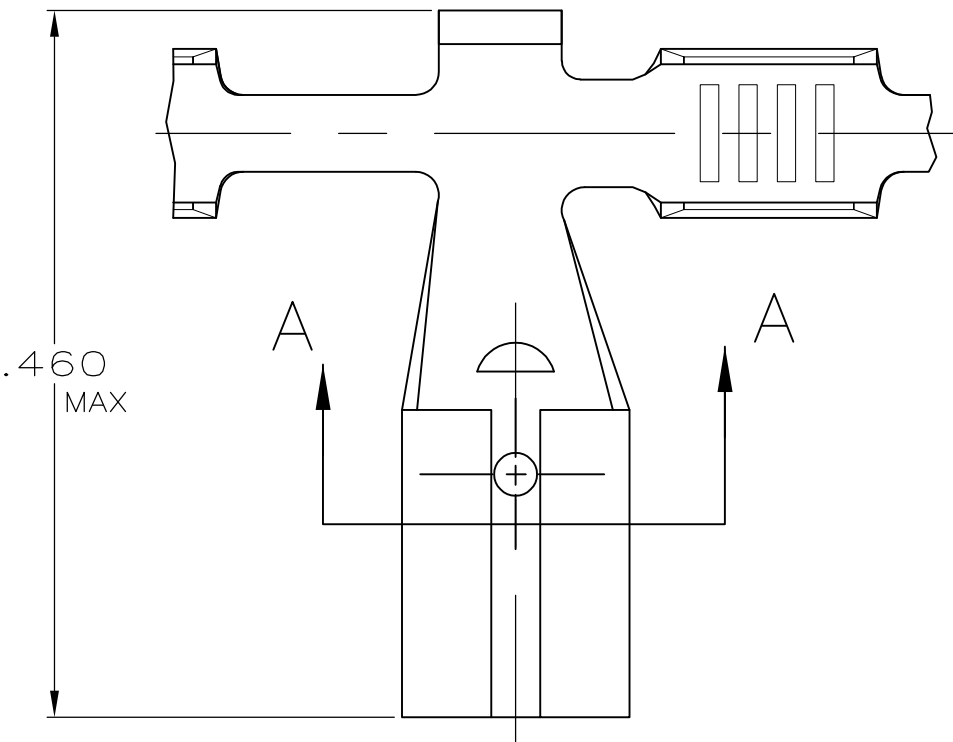
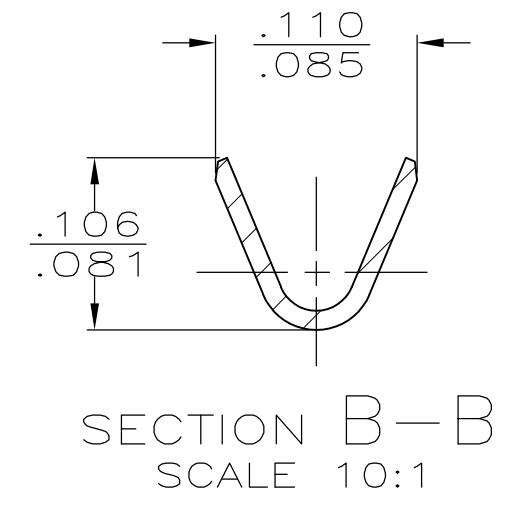
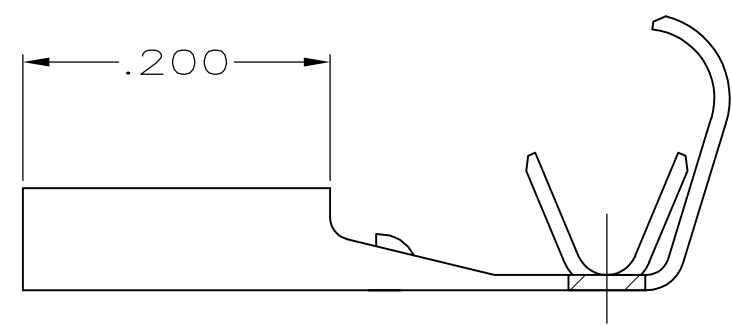
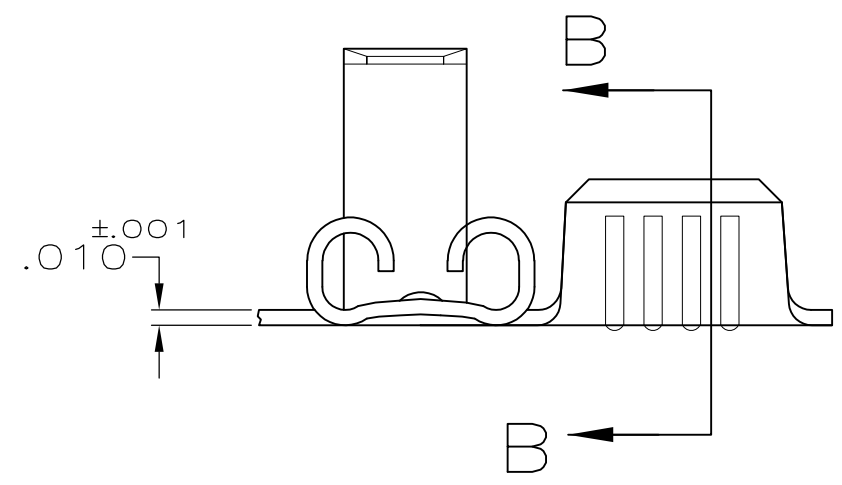
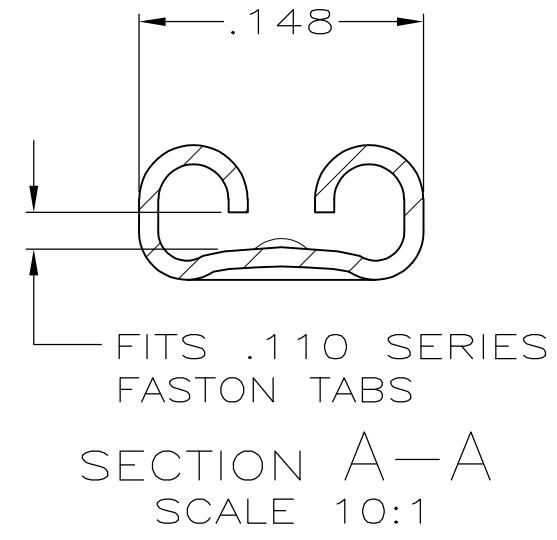


THIS DRAWING IS UNPUBLISHED. RELEASED FOR PUBLICATION
 © COPYRIGHT - By - ALL RIGHTS RESERVED.

LOC	DIST	REVISIONS					
AF	50	P	LTR	DESCRIPTION	DATE	DWN	APVD
			C	REVISED PER ECR-12-013459	29NOV2012	KH	PD



1 CONTINUOUS STRIP ON REELS



.065-.100 DIA	22-18 AWG	.020	61372-1
INSULATION RANGE	WIRE SIZE	MATING TAB THK ±.001	PART NO

THIS DRAWING IS A CONTROLLED DOCUMENT.		DWN	JR RUTH	4/24/91	TE Connectivity					
DIMENSIONS: INCHES		CHK	MS FEHER	4/24/91				RECEPTACLE, FASTON, FLAG, .110 SERIES		
		APVD	C MEYERS	4/24/91						
TOLERANCES UNLESS OTHERWISE SPECIFIED: 0 PLC ± - 1 PLC ± - 2 PLC ± - 3 PLC ± .015 4 PLC ± - ANGLES ± -		PRODUCT SPEC	-					APPLICATION SPEC WEIGHT -		
MATERIAL		FINISH			SCALE					
BRASS		PRE-TIN			8:1					
CUSTOMER DRAWING				SHEET		1 OF 1				
				REV		C				